

# FURUNO®

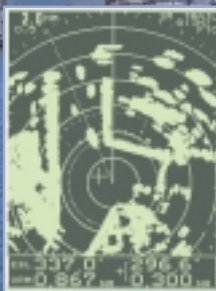
Powerful 2.2 kW Transmitter, Sensitive MIC Receiver

## Compact Display and Radome **6" LCD RADAR** **MODEL 1622**

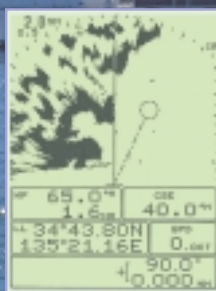
- Vivid, 6" high contrast silver LCD
- Complete Nav Data screen in standby mode
- 13 range scales from 0.125 to 16 NM
- Power conserving Watchman mode less than 8-watt demand
- Easy to interpret and use, waypoint location circle on display\*
- Guard Zone Alarm (US Patent No.5032842)
- Reverse video feature for effective use at night

\* Optional data input required.

**REVERSE**



**OFF-CENTER**



GPS/DGPS displays a waypoint on the screen



The future today with FURUNO's electronics technology.

**FURUNO ELECTRIC CO., LTD.**

9-52 Ashihara-cho, Nishinomiya City, Japan Telephone: +81 (0)798 65-2111  
Telefax: +81 (0)798 65-4200, 66-4622, 66-4623

Catalogue No. R-173c

TRADE MARK REGISTERED  
MARCA REGISTRADA

The MODEL 1622 is a compact but high-performance LCD radar designed for pleasure craft and small fishing boats. Radar echoes are presented in four shades of gray on the 6" high-definition LCD. You can see the display clearly even in direct sunlight. Being waterproof it is well-suited for installation in the cockpit, nav-station or fly bridge.

The MODEL 1622 offers three different operation modes: Normal, Off-center, and Watchman mode. In the Watchman mode, the antenna is stopped and the transmission is off, while the screen displays nav

data only. The radar wakes up at a specified time interval (5, 10 or 20 min) and operates for 10 scans. If a target enters the Guard Zone, an audible alarm sounds and the radar goes into its normal operating mode, cancelling the Watchman mode. The alarm may be set to work for a target leaving the Zone.

The high contrast LCD screen displays a Waypoint when it is connected to a GPS or DGPS navigator. The Waypoint is indicated by a lollipop mark for easy identification and location.

## SPECIFICATIONS OF MODEL 1622

### ANTENNA

- Type** Microstrip antenna, enclosed in  $\varnothing 380$  mm radome
- Beamwidth** Hor.: 6.2°, Vert.: 25°
- Rotation Speed** 24 rpm typical
- Wind Load** Relative wind 100 knots

### RF TRANSCEIVER

- Frequency** 9410 $\pm$ 30 MHz (X-band)
- Pulselength & PRR** 0.12  $\mu$ s/2100 Hz (0.125 to 0.75 nm)  
0.3  $\mu$ s/1200 Hz (1 to 2 nm)  
0.8  $\mu$ s/600 Hz (3 to 16 nm)
- Peak Output Power** 2.2 kW nominal
- IF Amplifier** IF: 60 MHz, Bandwidth: 7 MHz
- Noise Figure** 10 dB typical

### DISPLAY

- Display Unit** 6" (viewable image area: 5.7")  
Monochrome LCD, 4 gray tones, 240 x 320 pixels
- Accuracy** Range: 1.0 % of range in use or 8 m, whichever is greater  
Bearing: EBL accuracy  $\pm 1^\circ$
- Range and Range Ring Interval** Range: 0.125, 0.25, 0.5, 0.75, 1, 1.5, 2, 3, 4, 6, 8, 12, 16 nm  
Ring: 0.0625, 0.125, 0.125, 0.25, 0.25, 0.5, 0.5, 1, 1, 2, 2, 3, 4 nm
- Echo Trail** Interval: 30 s, 1, 3, 6 min, or continuous

- Interface** (NMEA 0183 format) ---: any talker  
\$-BWC, \$-BWR, \$-DBK, \$-DBS, \$-DBT, \$-DPT, \$-GGA, \$-GLC, \$-GLL, \$-GTD, \$-HDG, \$-HDM, \$-HDT, \$-MTW, \$-RMA, \$-RMB, \$-RMC, \$-VTG

### ENVIRONMENT (IEC 60945 Test method)

- Temperature: -25°C to +70°C (Antenna Unit)  
-15°C to +55°C (Display Unit)
- Water resistance: IEC IPX5, USCG CFR 46 (Display Unit)

### POWER SUPPLY

- 10.2 to 31.2 VDC, 36 W max  
115/230 VAC with optional rectifier PR-62

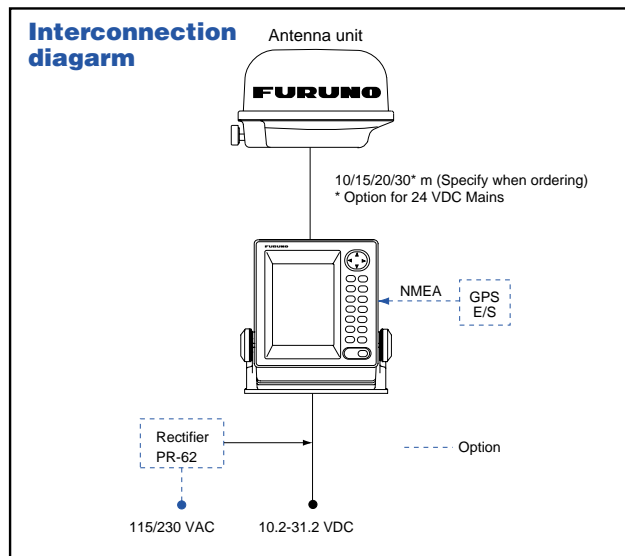
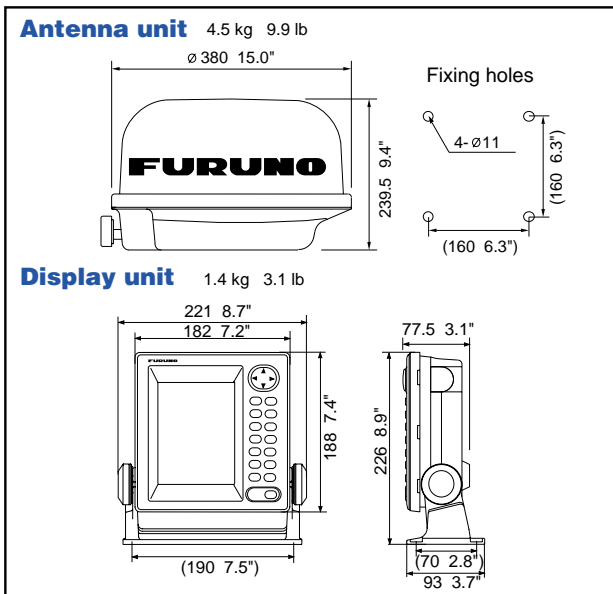
### EQUIPMENT LIST

#### Standard

- Display Unit RDP-125-S 1 unit
- Antenna Unit RSB-0060-068 1 unit
- Antenna Cable 10/15/20 m (Specify when ordering) 1 pc.
- Power Cable 3.5 m 1 pc.
- Spare Parts & installation materials 1 set

#### Optional

- Rectifier PR-62 for 115/230 VAC mains
- NMEA Cable, 5 m (MJ-A6SPF0012-050) or 10 m (MJ-A6SPF0012-100)
- Antenna Bracket OP03-93
- External Buzzer OP03-168
- Antenna Cable, 30 m (for 24 VDC Mains)



SPECIFICATIONS SUBJECT TO CHANGE WITHOUT NOTICE

**FURUNO U.S.A., INC.**  
 Camas, Washington, U.S.A.  
 Phone: +1 360-834-9300 Telefax: +1 360-834-9400

**FURUNO (UK) LIMITED**  
 Denmead, Hampshire, U.K.  
 Phone: +44 2392-230303 Telefax: +44 2392-230101

**FURUNO FRANCE S.A.**  
 Bordeaux-Mérignac, France  
 Phone: +33 5 56 13 48 00 Telefax: +33 5 56 13 48 01

**FURUNO ESPAÑA S.A.**  
 Madrid, Spain  
 Phone: +34 91-725-90-88 Telefax: +34 91-725-98-97

**FURUNO DANMARK AS**  
 Hvidovre, Denmark  
 Phone: +45 36 77 45 00 Telefax: +45 36 77 45 01

**FURUNO NORGE A/S**  
 Ålesund, Norway  
 Phone: +47 70 102950 Telefax: +47 70 127021

**FURUNO SVERIGE AB**  
 Västra Frölunda, Sweden  
 Phone: +46 31-7098940 Telefax: +46 31-497093

**FURUNO SUOMI OY**  
 Helsinki, Finland  
 Phone: +358 9 341 7570 Telefax: +358 9 3417 5716

0009XVT Printed in Japan