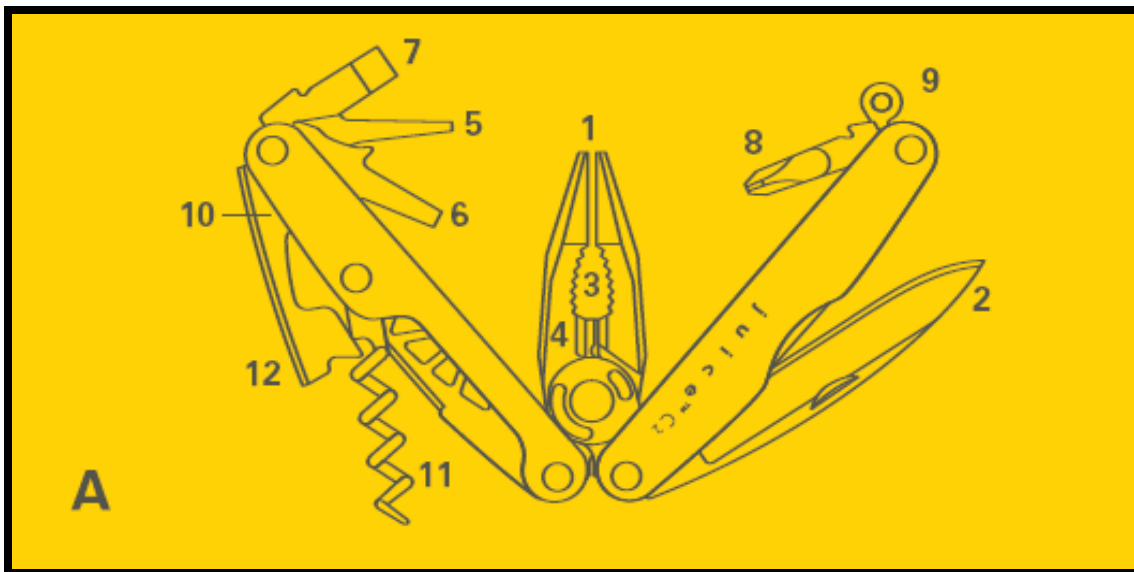


# *LEATHERMAN* Juice Cs4





Juice® C2 ■ S2 ■ Kf4  
Cs4 ■ Xe6

USER'S GUIDE

SAFETY CONSIDERATIONS AND FEATURES

As with most tools and pocket knives, several blades have sharp edges or points. Be extremely careful not to cut or pinch yourself with blades or handles when opening, closing or using your Juice.

C2 Features (Drawing A):

- |                            |                         |
|----------------------------|-------------------------|
| 1. Needlenose Pliers       | 7. Med/Lrg Screwdriver  |
| 2. Straight Knife          | 8. Phillips Screwdriver |
| 3. Wire Cutters            | 9. Lanyard Attachment   |
| 4. Hard-Wire Cutters       | 10. Can/Bottle Opener   |
| 5. Extra-Small Screwdriver | 11. Corkscrew           |
| 6. Small Screwdriver       | 12. Assist              |

S2 Features (Drawing B):

- |                            |                         |
|----------------------------|-------------------------|
| 1. Needlenose Pliers       | 7. Med/Lrg Screwdriver  |
| 2. Straight Knife          | 8. Phillips Screwdriver |
| 3. Wire Cutters            | 9. Lanyard Attachment   |
| 4. Hard-Wire Cutters       | 10. Can/Bottle Opener   |
| 5. Extra-Small Screwdriver | 11. Scissors            |
| 6. Small Screwdriver       |                         |

KF4 Features (Drawing C):

- |                            |                         |
|----------------------------|-------------------------|
| 1. Needlenose Pliers       | 9. Lanyard Attachment   |
| 2. Straight Knife          | 10. Saw                 |
| 3. Wire Cutters            | 11. Awl                 |
| 4. Hard-Wire Cutters       | 12. Serrated Knife      |
| 5. Extra-Small Screwdriver | 13. Diamond-Coated File |
| 6. Small Screwdriver       | 14. Wood/Metal File     |
| 7. Med/Lrg Screwdriver     | 15. Ruler               |
| 8. Phillips Screwdriver    |                         |

CS4 Features (Drawing D):

- |                            |                       |
|----------------------------|-----------------------|
| 1. Needlenose Pliers       | 9. Lanyard Attachment |
| 2. Straight Knife          | 10. Can/Bottle Opener |
| 3. Wire Cutters            | 11. Corkscrew         |
| 4. Hard-Wire Cutters       | 12. Assist            |
| 5. Extra-Small Screwdriver | 13. Scissors          |
| 6. Small Screwdriver       | 14. Saw               |
| 7. Med/Lrg Screwdriver     | 15. Awl               |
| 8. Phillips Screwdriver    |                       |

XE6 Features (Drawing E):

- |                            |                         |
|----------------------------|-------------------------|
| 1. Needlenose Pliers       | 10. Can/Bottle Opener   |
| 2. Straight Knife          | 11. Corkscrew           |
| 3. Wire Cutters            | 12. Assist              |
| 4. Hard-Wire Cutters       | 13. Scissors            |
| 5. Extra-Small Screwdriver | 14. Saw                 |
| 6. Small Screwdriver       | 15. Awl                 |
| 7. Med/Lrg Screwdriver     | 16. Serrated Knife      |
| 8. Phillips Screwdriver    | 17. Diamond-Coated File |
| 9. Lanyard Attachment      | 18. Wood/Metal File     |

TO OPEN THE SCISSORS (FOR XE6, CS4 & S2 ONLY)

To access the scissors, use the nail nick. Rotate the scissors out until they are fully extended.

USING THE WIRE CUTTERS

The regular and hard-wire cutters are located in the plier jaws. The hard-wire cutter is the small notch at the base of the wire cutting area.

The regular wire cutters should be used only for softer grades of wire. To prevent damage, hardened wire such as fish hooks should be cut only with the hard wire cutters. (Drawing F)

USING THE CORKSCREW AND ASSIST (FOR XE6, CS4 & C2 ONLY)

For easier removal of a cork, a notched assist is located at the end of the can/bottle opener. Open the assist completely. Twist the corkscrew into the cork, then position the assist so the notch rests on the top edge of the bottle. You may have to adjust the depth of the corkscrew to achieve the ideal position. (Drawing G)

Lift up on the handles while holding the assist against the bottle with the index finger of your opposite hand.



Juice® C2 ■ S2 ■ Kf4  
Cs4 ■ Xe6

USER'S GUIDE

BLADE SHARPENING

The Juice XE6 and KF4 feature both straight and serrated knife blades. It is important to note these two edges should not be sharpened in the same manner. Sharpen the straight edge using standard sharpening techniques.

The serrated surface will retain its cutting ability much longer than the straight cutting surface. When you wish to sharpen the serrated blade, be sure to use a sharpening system designed to accommodate serrations. A proper sharpening method will maintain the curvature of the serrations. Sharpening the flat (back) side of the serrations will cause them to wear away and reduce the effectiveness of the knife blade.

MAINTENANCE

The blades on your Juice multi-tool are 100% high-grade stainless steel. No steel is truly "stainless." It is actually "corrosion-resisting steel," and corrosion can occur if not properly maintained.

Your tool should be cleaned, dried and re-oiled periodically, especially after use in a damp environment. After cleaning, re-oil pivoting areas with a light machine or penetrating type oil.

WARRANTY

If within 25 years from the date of purchase you find any defect in material or workmanship with your Leatherman multi-tool, return it to Leatherman Tool Group, Inc. or an international authorized repair center. For repair centers in your area contact the address shown below.

The warranty does not cover abuse, alteration, unauthorized, or unreasonable use of your Leatherman multi-tool. This warranty does not cover sheaths, accessories or colored finishes.

To obtain service, return your tool to the address shown below or contact us for the location of the closest authorized repair center. At our option, we may replace your multi-tool rather than repair it; and if discontinued, replace it with a product of equal or greater value.

Leatherman Tool Group, Inc. is not liable for incidental or consequential damages. Some jurisdictions do not allow the exclusion or limitation of incidental or consequential damages, so the above exclusion may not apply to you.

This warranty also gives you specific legal rights, and you may also have other rights that may vary from jurisdiction to jurisdiction.

Leatherman Tool Group, Inc.  
P.O. Box 20595  
Portland, OR 97294-0595 USA

12106 N.E. Ainsworth Circle  
Portland, OR 97220-9001 USA  
Fax: (503) 253-7826  
Phone: (503) 253-7830  
[www.leatherman.com](http://www.leatherman.com)